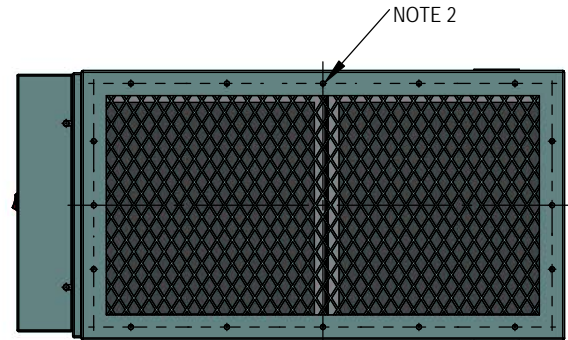
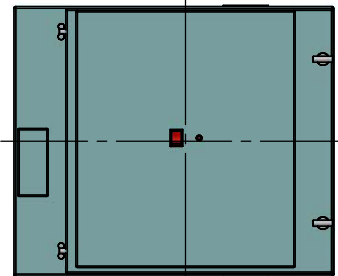


NOTES

NOTE 1 - CRITICAL THAT AT LEAST 600mm CLEARANCE AT OPENNING OF UNIT FOR ESP CELL INSTALL/REMOVE OPERATIONS AS SHOWN

NOTE 2 - REFER TO DRAWING No. FKE-AQ2-1-02 FOR HOLES IN FLANGE DETAIL



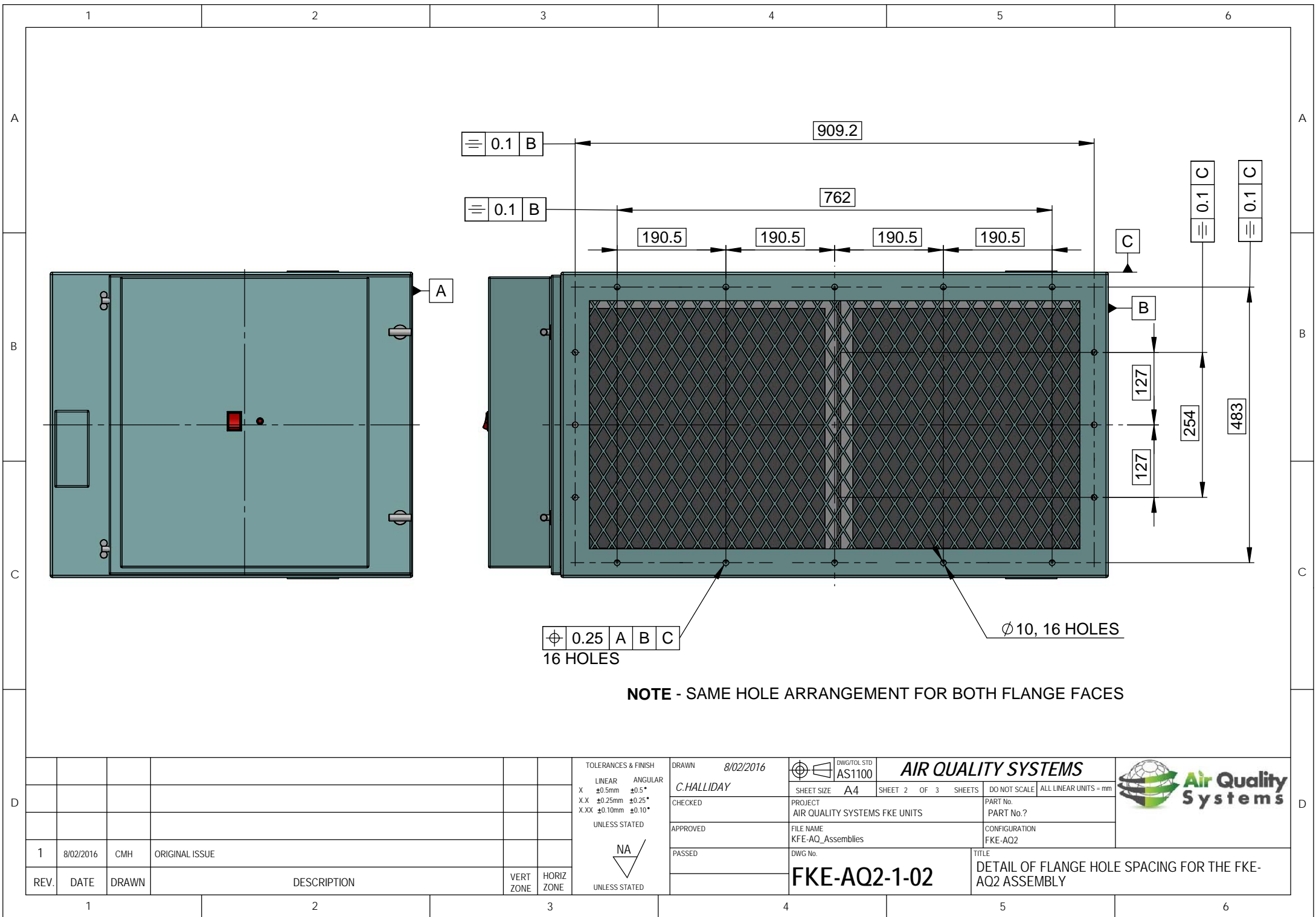
REV.	DATE	DRAWN	DESCRIPTION	VERT ZONE	HORIZ ZONE
1	8/02/2016	CMH	ORIGINAL ISSUE		

TOLERANCES & FINISH	
LINEAR	ANGULAR
X ±0.5mm	±0.5°
X.X ±0.25mm	±0.25°
X.XX ±0.10mm	±0.10°
UNLESS STATED	
NA	
UNLESS STATED	

DRAWN	8/02/2016
CHECKED	C.HALLIDAY
APPROVED	
PASSED	

DWG/TOL STD	AS1100
SHEET SIZE	A4
PROJECT	AIR QUALITY SYSTEMS - FKE UNITS
FILE NAME	KFE-AQ_Assemblies
DWG No.	FKE-AQ2-1-01
SHEET SHEED No.	TOTAL SHEETS
PART No.	
CONFIGURATION	FKE-AQ2
TITLE	GENERAL ARRANGEMENT OF THE AIR QUALITY SYSTEMS FKE-AQ2 ASSEMBLY





NOTE - SAME HOLE ARRANGEMENT FOR BOTH FLANGE FACES

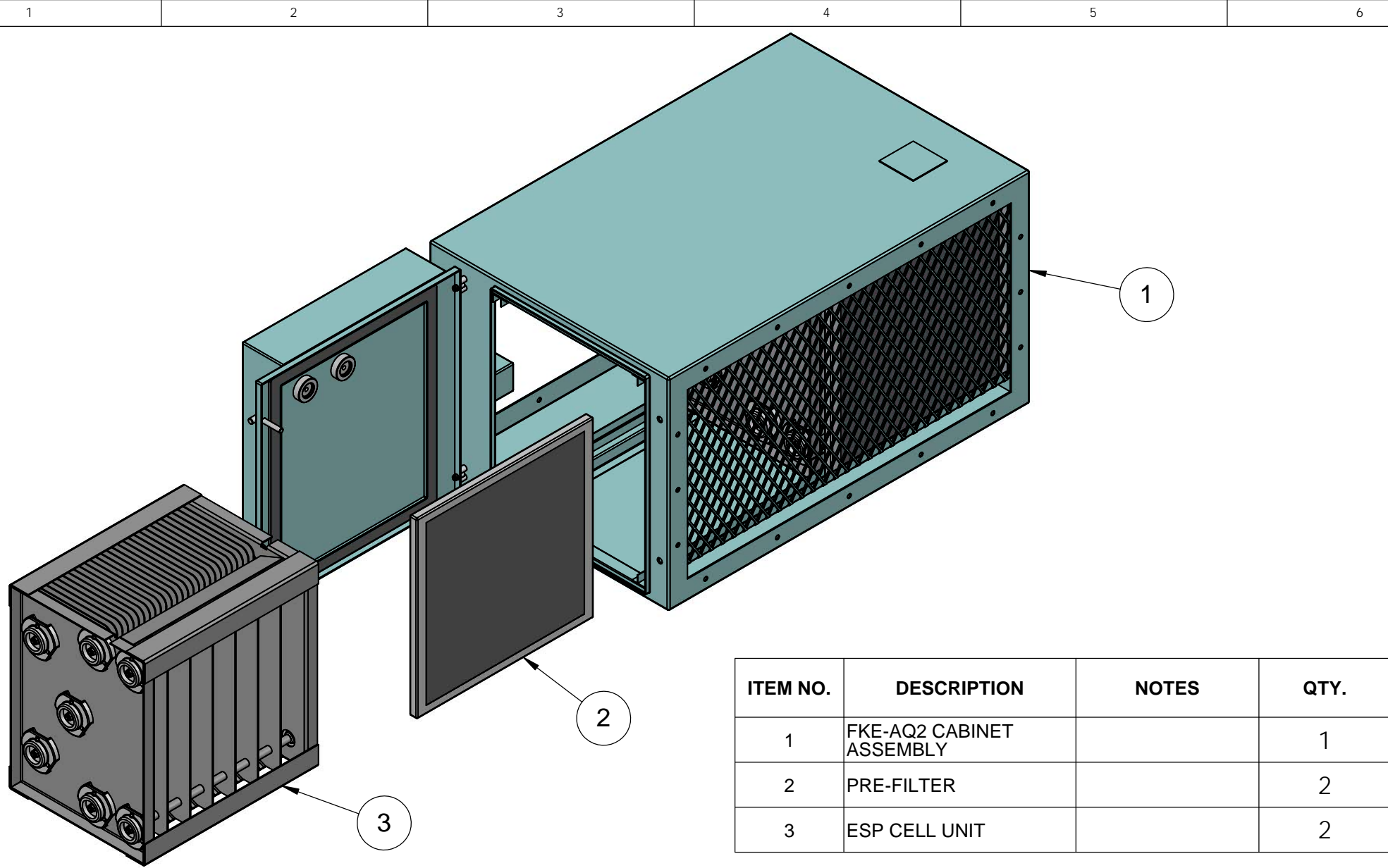
REV.	DATE	DRAWN	DESCRIPTION	VERT ZONE	HORIZ ZONE
1	8/02/2016	CMH	ORIGINAL ISSUE		

TOLERANCES & FINISH	
LINEAR	ANGULAR
X ±0.5mm	±0.5°
X.X ±0.25mm	±0.25°
X.XX ±0.10mm	±0.10°
UNLESS STATED	
NA	
UNLESS STATED	

DRAWN	8/02/2016
CHECKED	C.HALLIDAY
APPROVED	
PASSED	

		AIR QUALITY SYSTEMS	
SHEET SIZE	A4	SHEET 2 OF 3 SHEETS	DO NOT SCALE ALL LINEAR UNITS = mm
PROJECT	AIR QUALITY SYSTEMS FKE UNITS		PART No.?
FILE NAME	KFE-AQ_Assemblies		CONFIGURATION FKE-AQ2
DWG No.	FKE-AQ2-1-02		TITLE
			DETAIL OF FLANGE HOLE SPACING FOR THE FKE-AQ2 ASSEMBLY





ITEM NO.	DESCRIPTION	NOTES	QTY.
1	FKE-AQ2 CABINET ASSEMBLY		1
2	PRE-FILTER		2
3	ESP CELL UNIT		2

REV.	DATE	DRAWN	DESCRIPTION	VERT ZONE	HORIZ ZONE
1		CMH	ORIGINAL ISSUE		

TOLERANCES & FINISH

LINEAR ANGULAR

X ±0.5mm ±0.5°


X.X ±0.25mm ±0.25°

X.XX ±0.10mm ±0.10°

UNLESS STATED

NA

UNLESS STATED

DRAWN	DWG/TOL STD AS1100	AIR QUALITY SYSTEMS		
CHECKED	SHEET SIZE A4 SHEET 3 OF 3 SHEETS	DO NOT SCALE	ALL LINEAR UNITS - mm	
APPROVED	PROJECT AIR QUALITY SYSTEMS - FKE UNITS	FILE NAME KFE-AQ_Assemblies	PART No.	CONFIGURATION FKE-AQ2 Open
PASSED	DWG No.	TITLE FKE-AQ2-1-03		EXPLoded VIEW & PARTS LIST FOR THE AIR QUALITY SYSTEMS FKE-AQ2 ASSEMBLY