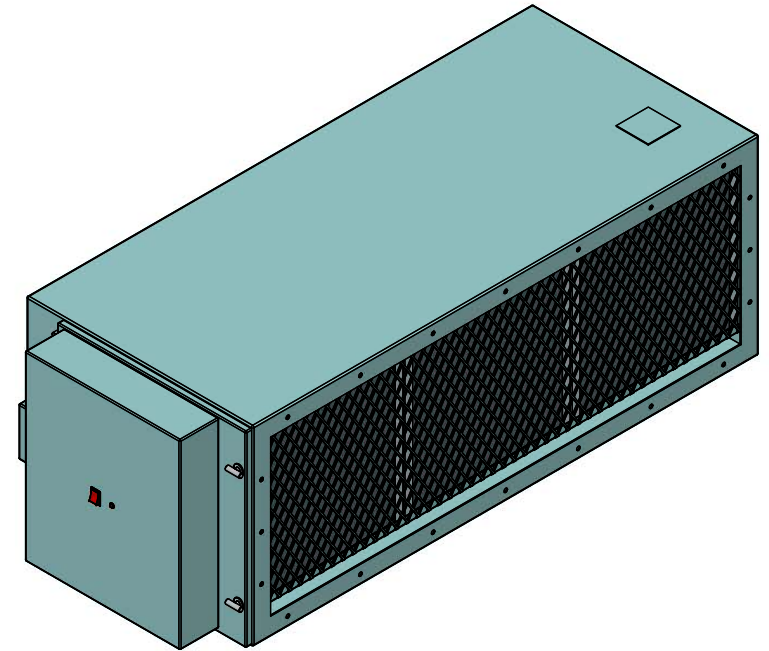
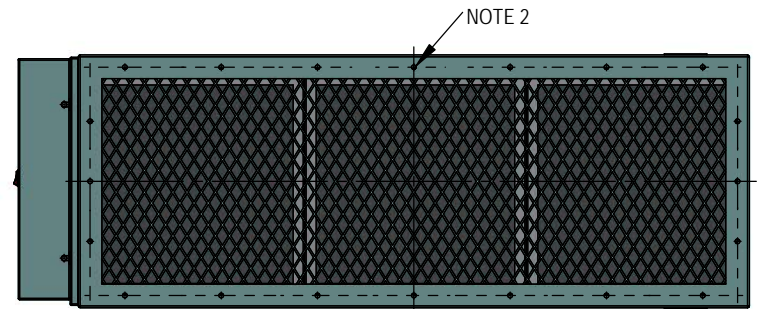
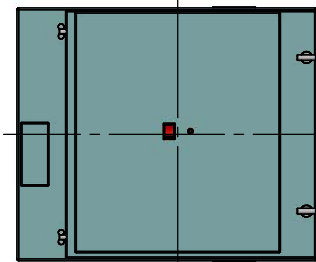


**NOTES**

NOTE 1 - CRITICAL THAT AT LEAST 600mm CLEARANCE AT OPENNING OF UNIT FOR ESP CELL INSTALL/REMOVE OPERATIONS AS SHOWN

NOTE 2 - REFER TO DRAWING No. FKE-AQ3-1-02 FOR HOLES IN FLANGE DETAIL



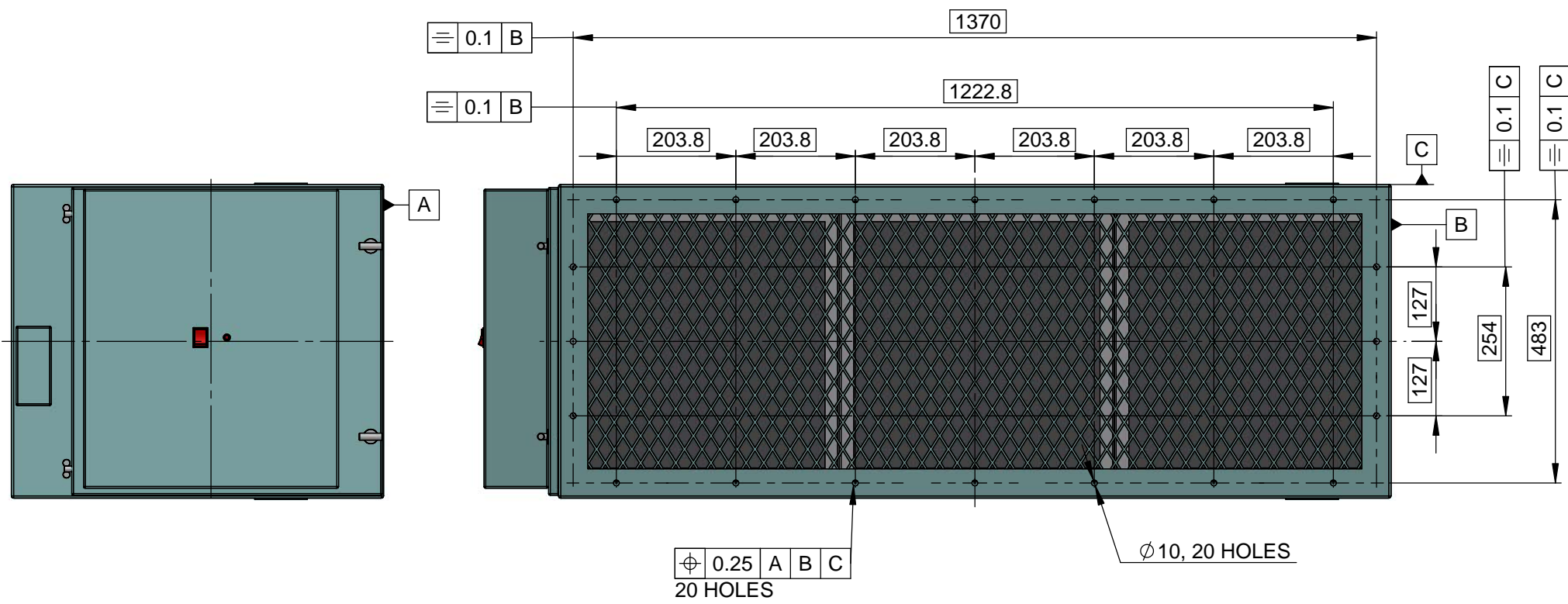
REV.	DATE	DRAWN	DESCRIPTION	VERT ZONE	HORIZ ZONE
1	8/02/2016	CMH	ORIGINAL ISSUE		

TOLERANCES & FINISH	
LINEAR	ANGULAR
X ±0.5mm	±0.5°
X.X ±0.25mm	±0.25°
X.XX ±0.10mm	±0.10°
UNLESS STATED	
NA	
UNLESS STATED	


DRAWN	8/02/2016
CHECKED	C.HALLIDAY
APPROVED	
PASSED	

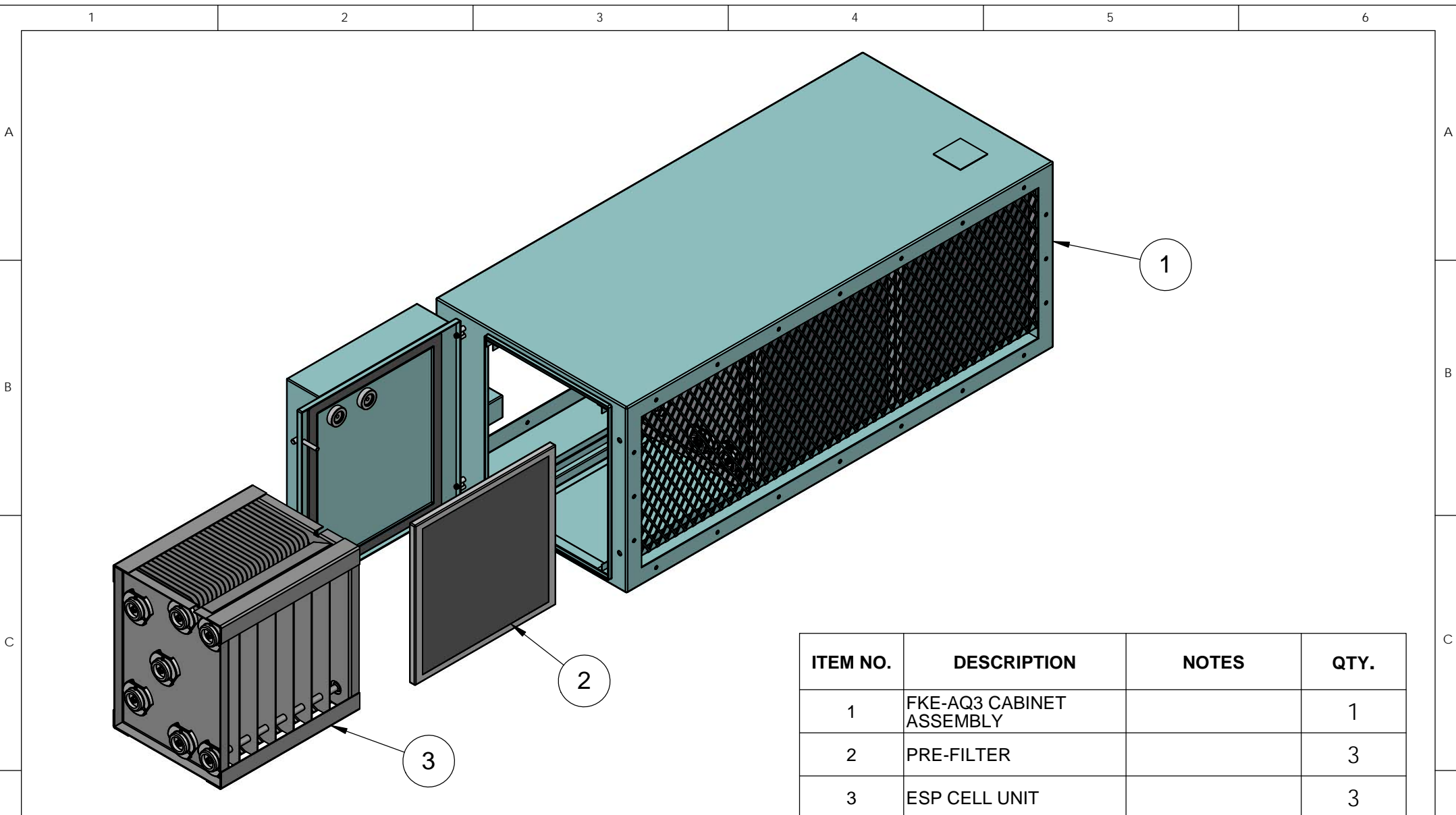
DWG/TOL STD		AIR QUALITY SYSTEMS	
AS1100	A4	SHEET 1 OF 3 SHEETS	DO NOT SCALE ALL LINEAR UNITS = mm
PROJECT		PART No.	
AIR QUALITY SYSTEMS - FKE UNITS			
FILE NAME		CONFIGURATION	
KFE-AQ_Assemblies		FKE-AQ3	
DWG No.		TITLE	
FKE-AQ3-1-01		GENERAL ARRANGEMENT OF THE AIR QUALITY SYSTEMS FKE-AQ3 ASSEMBLY	





**NOTE - SAME HOLE ARRANGEMENT FOR BOTH FLANGE FACES**

				TOLERANCES & FINISH		DRAWN 8/02/2016		DWG/TOL STD AS1100		<b>AIR QUALITY SYSTEMS</b>			
				LINEAR ±0.5mm ANGULAR ±0.5° X.X ±0.25mm ±0.25° X.XX ±0.10mm ±0.10° UNLESS STATED		C.HALLIDAY		SHEET SIZE A4		SHEET 2 OF 3 SHEETS			
						CHECKED		PROJECT AIR QUALITY SYSTEMS FKE UNITS		PART No.		PART No.?	
						APPROVED		FILE NAME KFE-AQ_Assemblies		CONFIGURATION FKE-AQ3			
						PASSED		DWG No.		TITLE		DETAIL OF FLANGE HOLE SPACING FOR THE FKE-AQ3 ASSEMBLY	
1 8/02/2016 CMH ORIGINAL ISSUE													
REV.	DATE	DRAWN	DESCRIPTION			VERT ZONE	HORIZ ZONE	<b>FKE-AQ3-1-02</b>					



ITEM NO.	DESCRIPTION	NOTES	QTY.
1	FKE-AQ3 CABINET ASSEMBLY		1
2	PRE-FILTER		3
3	ESP CELL UNIT		3

REV.	DATE	DRAWN	DESCRIPTION	VERT ZONE	HORIZ ZONE
1	8/02/2016	CMH	ORIGINAL ISSUE		

TOLERANCES & FINISH

LINEAR	ANGULAR
X ±0.5mm	±0.5°
X.X ±0.25mm	±0.25°
X.XX ±0.10mm	±0.10°

UNLESS STATED

NA

DRAWN 8/02/2016  
 C.HALLIDAY

CHECKED

APPROVED

PASSED

DWG/TOL STD AS1100	<b>AIR QUALITY SYSTEMS</b>	
SHEET SIZE A4	SHEET 3 OF 3 SHEETS	DO NOT SCALE ALL LINEAR UNITS = mm
PROJECT AIR QUALITY SYSTEMS - FKE UNITS	PART No.	
FILE NAME KFE-AQ_Assemblies	CONFIGURATION FKE-AQ3 Open	
DWG No.	TITLE <b>FKE-AQ3-1-03</b> EXPLODED VIEW & PARTS LIST FOR THE AIR QUALITY SYSTEMS FKE-AQ3 ASSEMBLY	

