

**NOTES**

- NOTE 1 - CRITICAL THAT AT LEAST 600mm CLEARANCE AT OPENNING OF UNIT FOR ESP CELL INSTALL/REMOVE OPERATIONS AS SHOWN
- NOTE 2 - REFER TO DRAWING No. FKE-AQ5-1-02 FOR HOLES IN FLANGE DETAIL

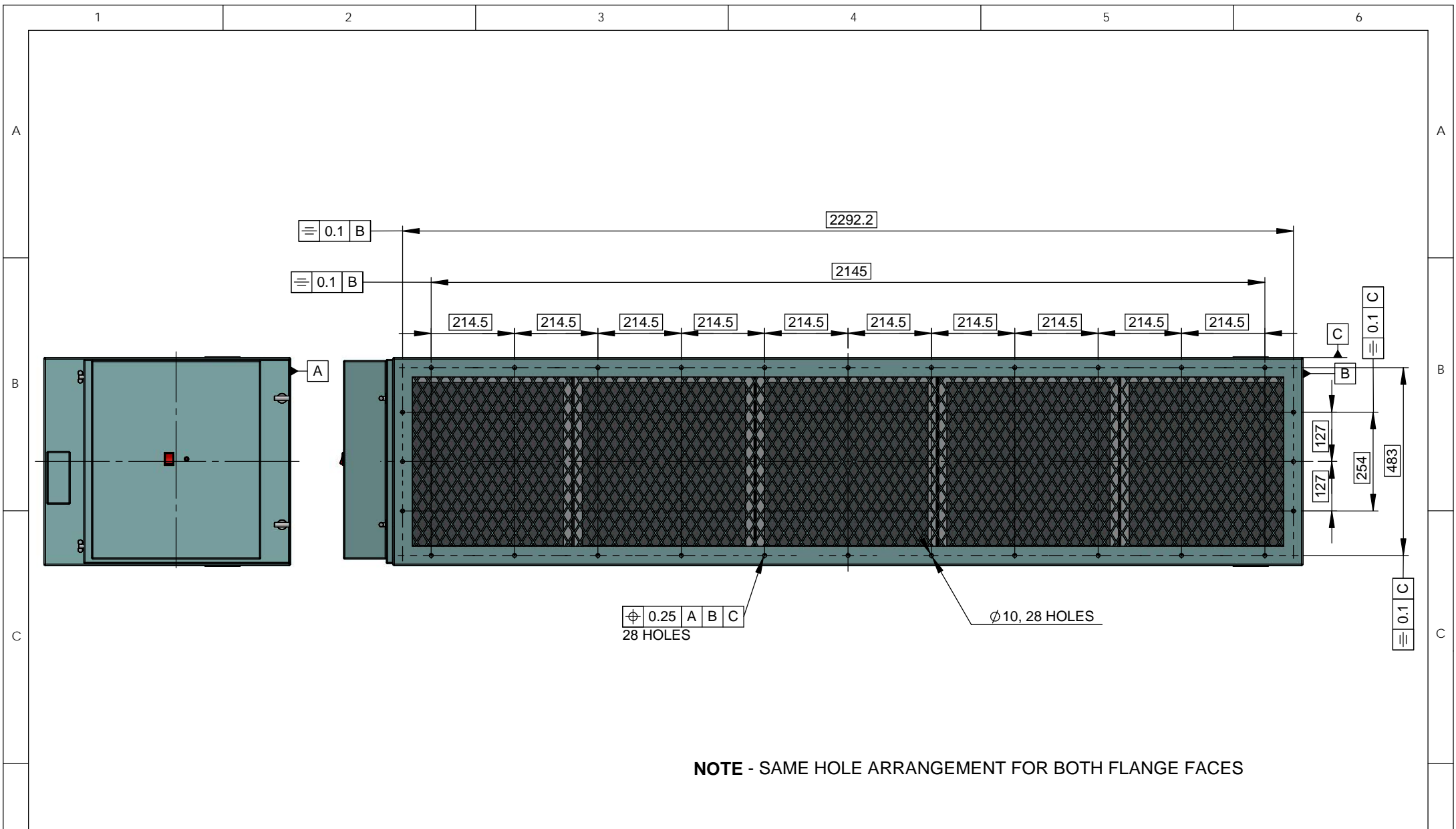
REV.	DATE	DRAWN	DESCRIPTION	VERT ZONE	HORIZ ZONE
1	8/02/2016	CMH	ORIGINAL ISSUE		

TOLERANCES & FINISH	
LINEAR	ANGULAR
X ±0.5mm	±0.5°
X.X ±0.25mm	±0.25°
X.XX ±0.10mm	±0.10°
UNLESS STATED	
NA	
UNLESS STATED	



DRAWN	8/02/2016
CHECKED	C.HALLIDAY
APPROVED	
PASSED	

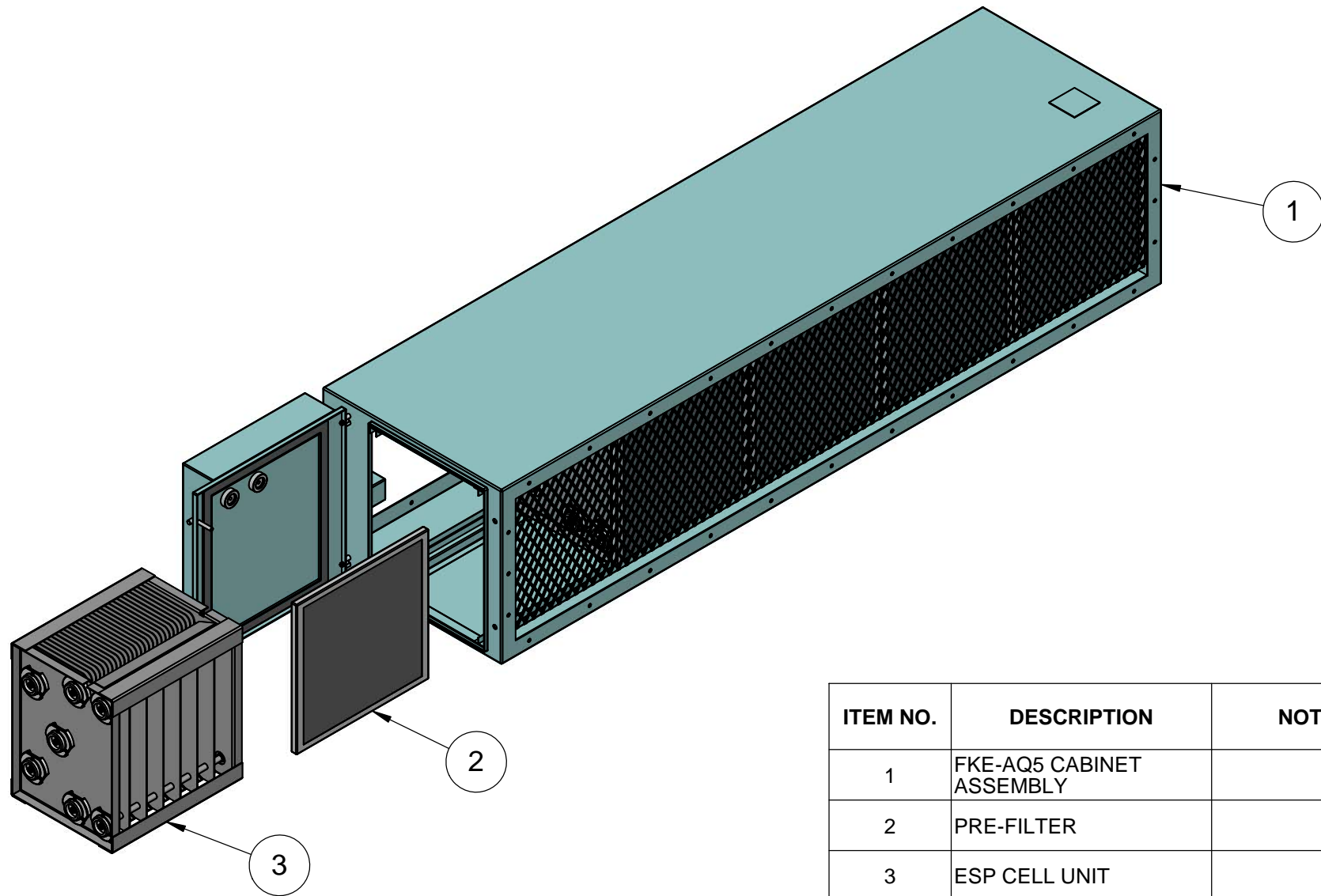
DWG/TOL STD	AS1100	<b>AIR QUALITY SYSTEMS</b>	
SHEET SIZE	A4	SHEET 3 OF 3 SHEETS	DO NOT SCALE ALL LINEAR UNITS = mm
PROJECT	AIR QUALITY SYSTEMS - FKE UNITS		PART No.
FILE NAME	KFE-AQ_Assemblies		CONFIGURATION FKE-AQ5
DWG No.	<b>FKE-AQ5-1-01</b>		TITLE
			GENERAL ARRANGEMENT OF THE AIR QUALITY SYSTEMS FKE-AQ5 ASSEMBLY





**NOTE - SAME HOLE ARRANGEMENT FOR BOTH FLANGE FACES**

				TOLERANCES & FINISH		DRAWN 8/02/2016		DWG/TOL STD AS1100		<b>AIR QUALITY SYSTEMS</b>		
				LINEAR ±0.5mm ANGULAR ±0.5° X.X ±0.25mm ±0.25° X.XX ±0.10mm ±0.10° UNLESS STATED		C.HALLIDAY		SHEET SIZE A4 SHEET 2 OF 3 SHEETS		DO NOT SCALE ALL LINEAR UNITS = mm		
				 UNLESS STATED		CHECKED		PROJECT AIR QUALITY SYSTEMS FKE UNITS		PART No. PART No.?		
1 8/02/2016 CMH ORIGINAL ISSUE						APPROVED		FILE NAME KFE-AQ_Assemblies		CONFIGURATION FKE-AQ5		
REV.	DATE	DRAWN	DESCRIPTION	VERT ZONE	HORIZ ZONE	PASSED		DWG No. <b>FKE-AQ5-1-02</b>		TITLE DETAIL OF FLANGE HOLE SPACING FOR THE FKE-AQ5 ASSEMBLY		



ITEM NO.	DESCRIPTION	NOTES	QTY.
1	FKE-AQ5 CABINET ASSEMBLY		1
2	PRE-FILTER		5
3	ESP CELL UNIT		5

REV.	DATE	DRAWN	DESCRIPTION	VERT ZONE	HORIZ ZONE
1	8/02/2016	CMH	ORIGINAL ISSUE		

TOLERANCES & FINISH  
 LINEAR    ANGULAR  
 X        ±0.5mm    ±0.5°  
 X.X     ±0.25mm   ±0.25°  
 X.XX    ±0.10mm   ±0.10°  
 UNLESS STATED  
 NA

DRAWN 8/02/2016  
 C.HALLIDAY  
 CHECKED  
 APPROVED  
 PASSED

DWG/TOL STD AS1100  
 SHEET SIZE A4 SHEET 3 OF 3 SHEETS  
 PROJECT AIR QUALITY SYSTEMS - FKE UNITS  
 FILE NAME KFE-AQ\_Assemblies  
 DWG No. **FKE-AQ5-1-03**

**AIR QUALITY SYSTEMS**  
 DO NOT SCALE ALL LINEAR UNITS = mm  
 PART No.  
 CONFIGURATION FKE-AQ5 Open  
 TITLE EXPLODED VIEW & PARTS LIST FOR THE AIR QUALITY SYSTEMS FKE-AQ5 ASSEMBLY

