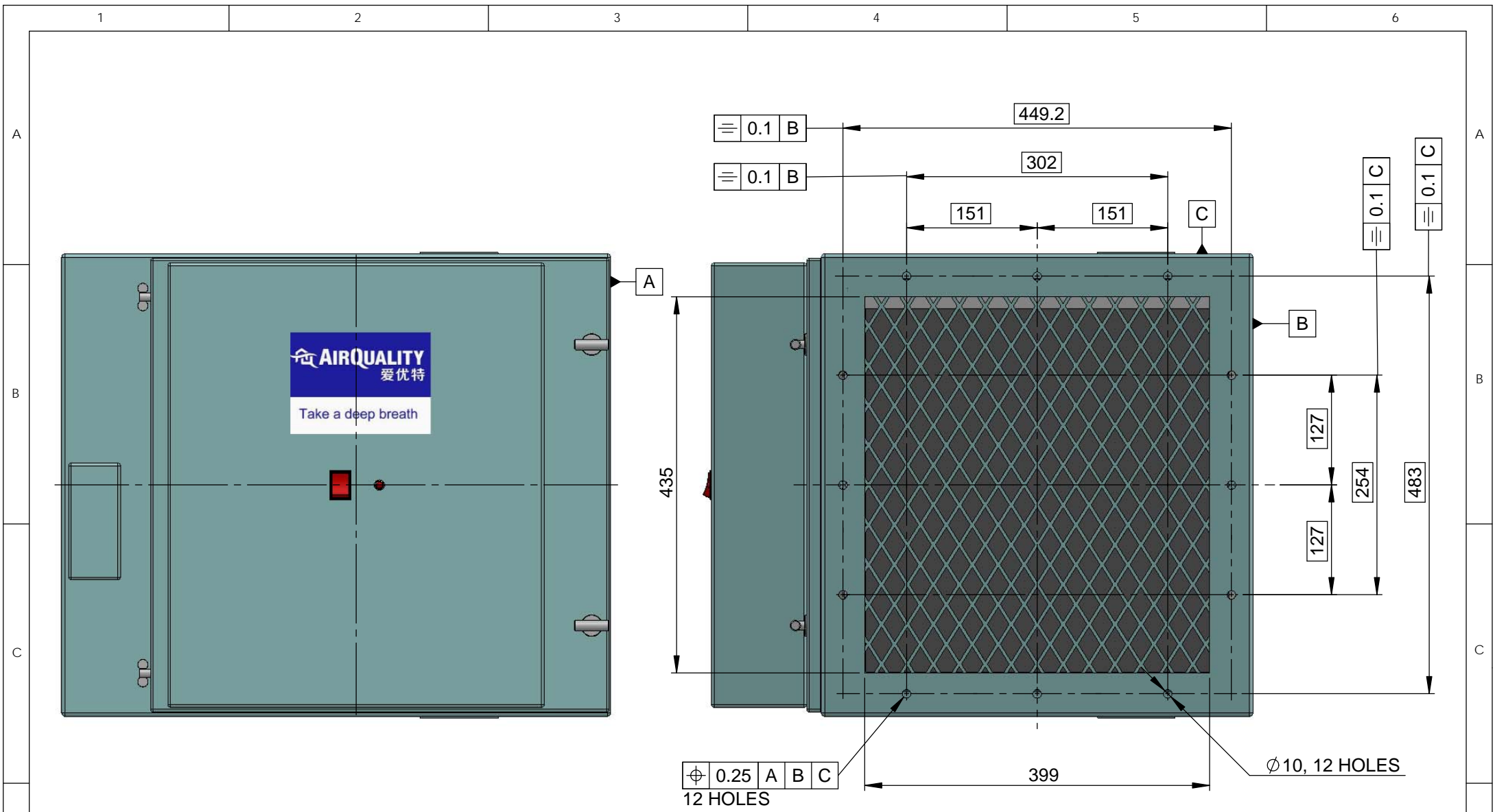


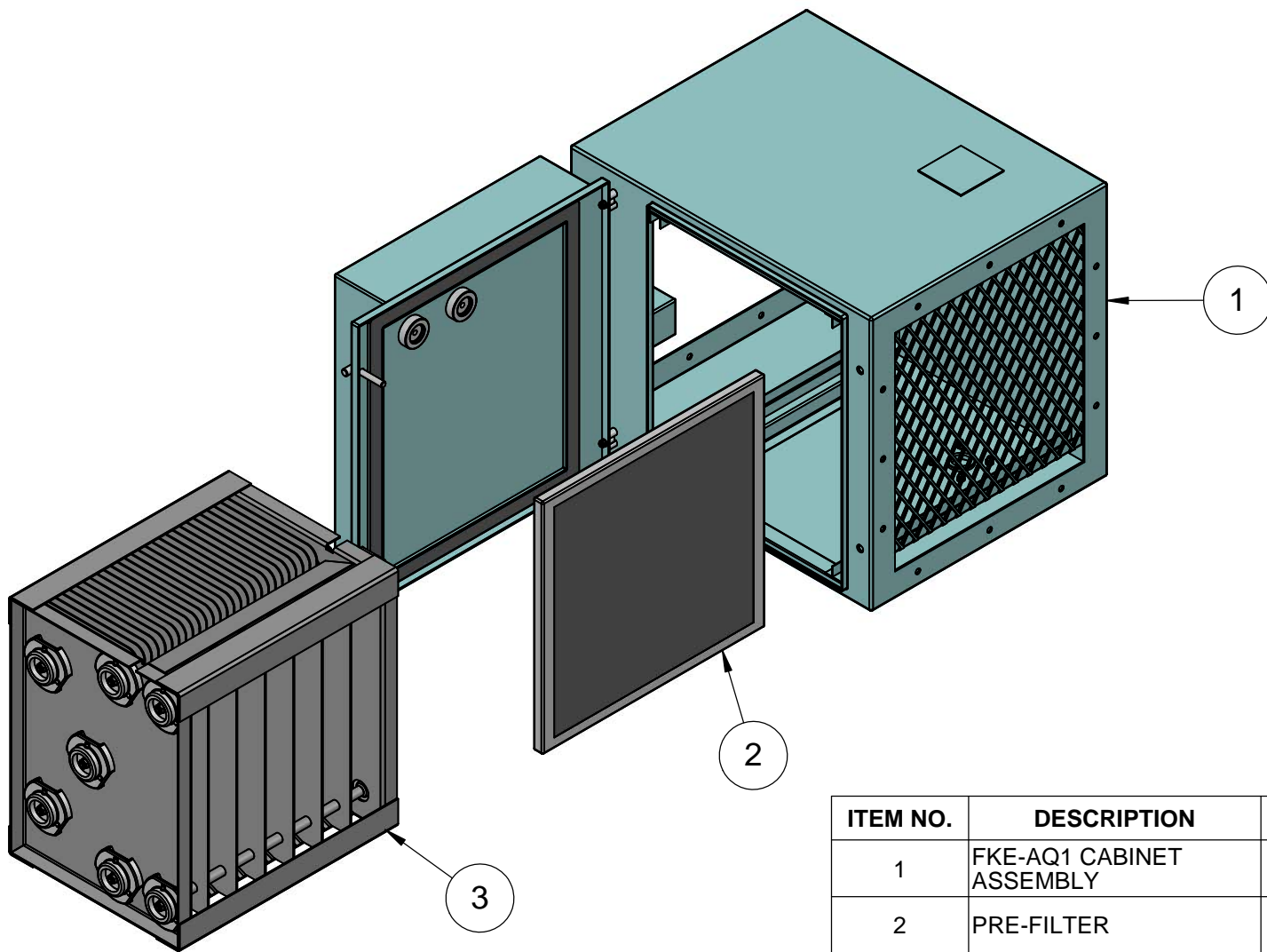
**NOTES**  
 NOTE 1 - CRITICAL THAT AT LEAST 600mm CLEARANCE AT OPENING OF UNIT FOR ESP CELL INSTALL/REMOVE OPERATIONS AS SHOWN  
 NOTE 2 - REFER TO DRAWING No. *FKE-AQ1-1-02\_R1* FOR HOLES IN FLANGE DETAIL  
 NOTE 3 - CAD MODEL AVAILABLE, *FKE-AQ1\_CAD\_Model\_R1.STEP*, CONTACT AIR QUALITY SYSTEMS FOR DETAILS

				TOLERANCES & FINISH LINEAR    ANGULAR X    ±0.5mm    ±0.5° X.X   ±0.25mm   ±0.25° X.XX   ±0.10mm   ±0.10° UNLESS STATED NA UNLESS STATED		DRAWN 8/02/2016 C.HALLIDAY CHECKED APPROVED PASSED		DWG/TOL STD AS1100 SHEET SIZE A4 PROJECT AIR QUALITY SYSTEMS - FKE UNITS FILE NAME KFE-AQ_Assemblies DWG No.		<b>AIR QUALITY SYSTEMS</b> SHEET 1 OF 4 SHEETS DO NOT SCALE ALL LINEAR UNITS = mm PART No. CONFIGURATION FKE-AQ1			
1	8/02/2016	CMH	ORIGINAL ISSUE			<b>FKE-AQ1-1-01</b>		TITLE GENERAL ARRANGEMENT OF THE AIR QUALITY SYSTEMS FKE-AQ1 ASSEMBLY					
REV.	DATE	DRAWN	DESCRIPTION	VERT ZONE	HORIZ ZONE								
1													



**NOTE - SAME HOLE ARRANGEMENT FOR BOTH FLANGE FACES**

				TOLERANCES & FINISH LINEAR    ANGULAR X    ±0.5mm    ±0.5° X.X    ±0.25mm    ±0.25° X.XX    ±0.10mm    ±0.10° UNLESS STATED NA UNLESS STATED		DRAWN    8/02/2016 C.HALLIDAY		DWG/TOL STD AS1100		<b>AIR QUALITY SYSTEMS</b>			
						SHEET SIZE    A4    SHEET 2 OF 4    SHEETS		DO NOT SCALE    ALL LINEAR UNITS = mm					
						CHECKED AIR QUALITY SYSTEMS FKE UNITS		PART No. PART No.?					
						APPROVED FILE NAME KFE-AQ_Assemblies		CONFIGURATION FKE-AQ1					
						PASSED DWG No.		TITLE FKE-AQ1-1-02		DETAIL OF FLANGE HOLE SPACING FOR THE FKE-AQ1 ASSEMBLY			
1	8/02/2016	CMH	ORIGINAL ISSUE										
REV.	DATE	DRAWN	DESCRIPTION	VERT ZONE	HORIZ ZONE								
1													



ITEM NO.	DESCRIPTION	NOTES	QTY.
1	FKE-AQ1 CABINET ASSEMBLY		1
2	PRE-FILTER		1
3	ESP CELL UNIT		1

REV.	DATE	DRAWN	DESCRIPTION	VERT ZONE	HORIZ ZONE
1	8/02/2016	CMH	ORIGINAL ISSUE		

TOLERANCES & FINISH

LINEAR	ANGULAR
X ±0.5mm	±0.5°
X.X ±0.25mm	±0.25°
X.XX ±0.10mm	±0.10°

UNLESS STATED

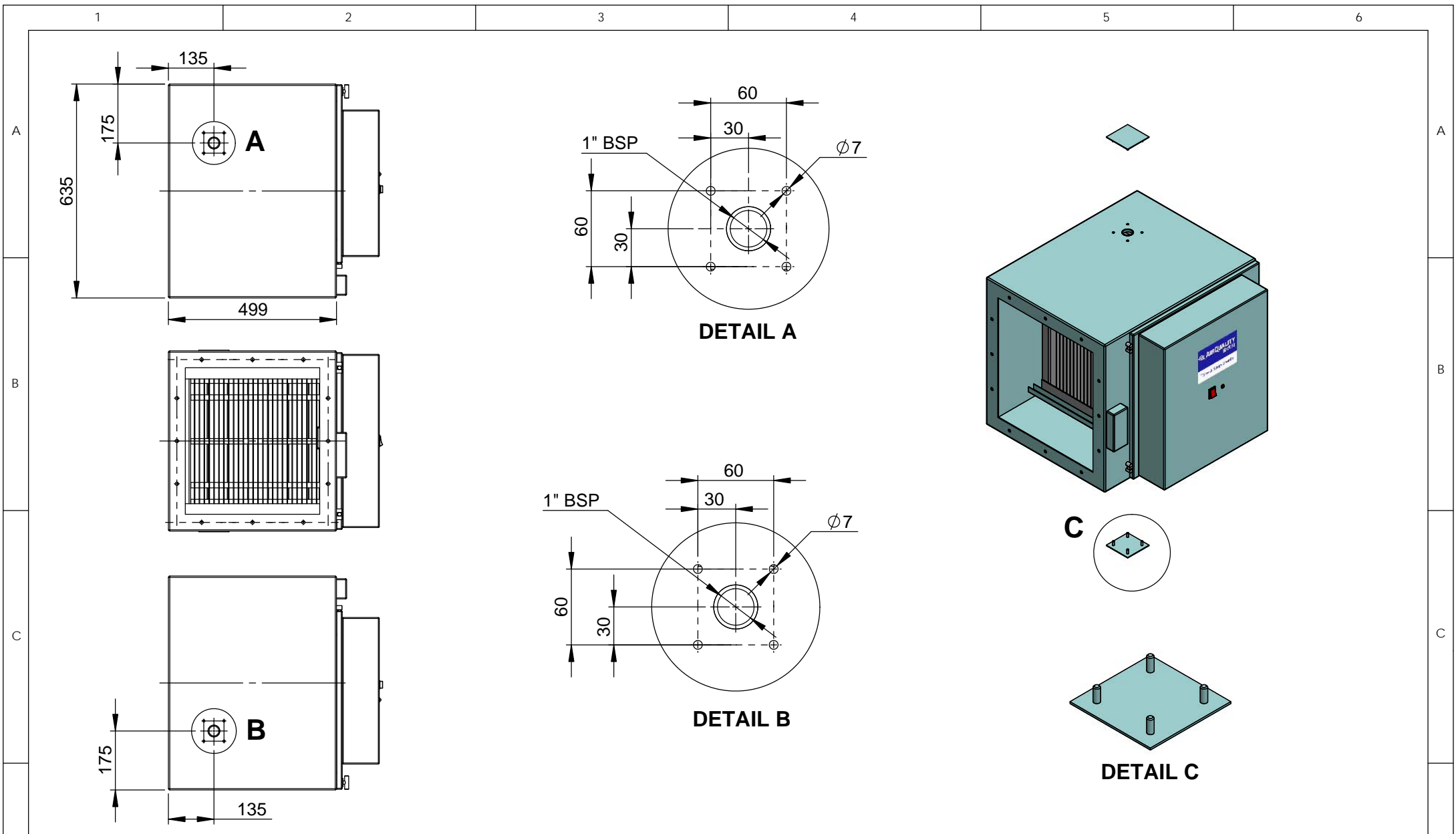
NA

UNLESS STATED

DRAWN	8/02/2016
CHECKED	C.HALLIDAY
APPROVED	
PASSED	

DWG/TOL STD	AS1100	<b>AIR QUALITY SYSTEMS</b>	
SHEET SIZE	A4	SHEET 3 OF 4 SHEETS	DO NOT SCALE ALL LINEAR UNITS = mm
PROJECT	AIR QUALITY SYSTEMS - FKE UNITS		PART No.
FILE NAME	KFE-AQ_Assemblies		CONFIGURATION
DWG No.	FKE-AQ1-1-03		FKE-AQ1 Open
TITLE		EXPLODED VIEW & PARTS LIST FOR THE AIR QUALITY SYSTEMS FKE-AQ1 ASSEMBLY	





REV.	DATE	DRAWN	DESCRIPTION	VERT ZONE	HORIZ ZONE
1	8/02/2016	CMH	ORIGINAL ISSUE		

TOLERANCES & FINISH	
LINEAR	ANGULAR
X ±0.5mm	±0.5°
X.X ±0.25mm	±0.25°
X.XX ±0.10mm	±0.10°
UNLESS STATED	
NA	
UNLESS STATED	

DRAWN	8/02/2016
CHECKED	C.HALLIDAY
APPROVED	
PASSED	

DWG/TOL STD	AS1100
SHEET SIZE	A4
SHEET 1 OF 4 SHEETS	
PROJECT	AIR QUALITY SYSTEMS FKE UNITS
FILE NAME	KFE-AQ_Assemblies
DWG No.	
<b>FKE-AQ1-1-04</b>	

<p><b>AIR QUALITY SYSTEMS</b></p>	<p>DO NOT SCALE ALL LINEAR UNITS = mm</p> <p>PART No. PART No.?</p> <p>CONFIGURATION FKE-AQ1</p> <p>TITLE <b>DETAIL OF DRAIN HOLE LOCATION AND DIMENSIONS FOR THE FKE-AQ1 ASSEMBLY</b></p>
-----------------------------------	--