

NOTES

NOTE 1 - CRITICAL THAT AT LEAST 600mm CLEARANCE AT OPENNING OF UNIT FOR ESP CELL INSTALL/REMOVE OPERATIONS AS SHOWN
 NOTE 2 - REFER TO DRAWING No. *FKE-AQ2-1-02_R1* FOR HOLES IN FLANGE DETAIL
 NOTE 3 - CAD MODEL AVAILABLE, *KFE-AQ2_CAD_Model_R1.STEP*, CONTACT AIR QUALITY SYSTEMS FOR DETAILS

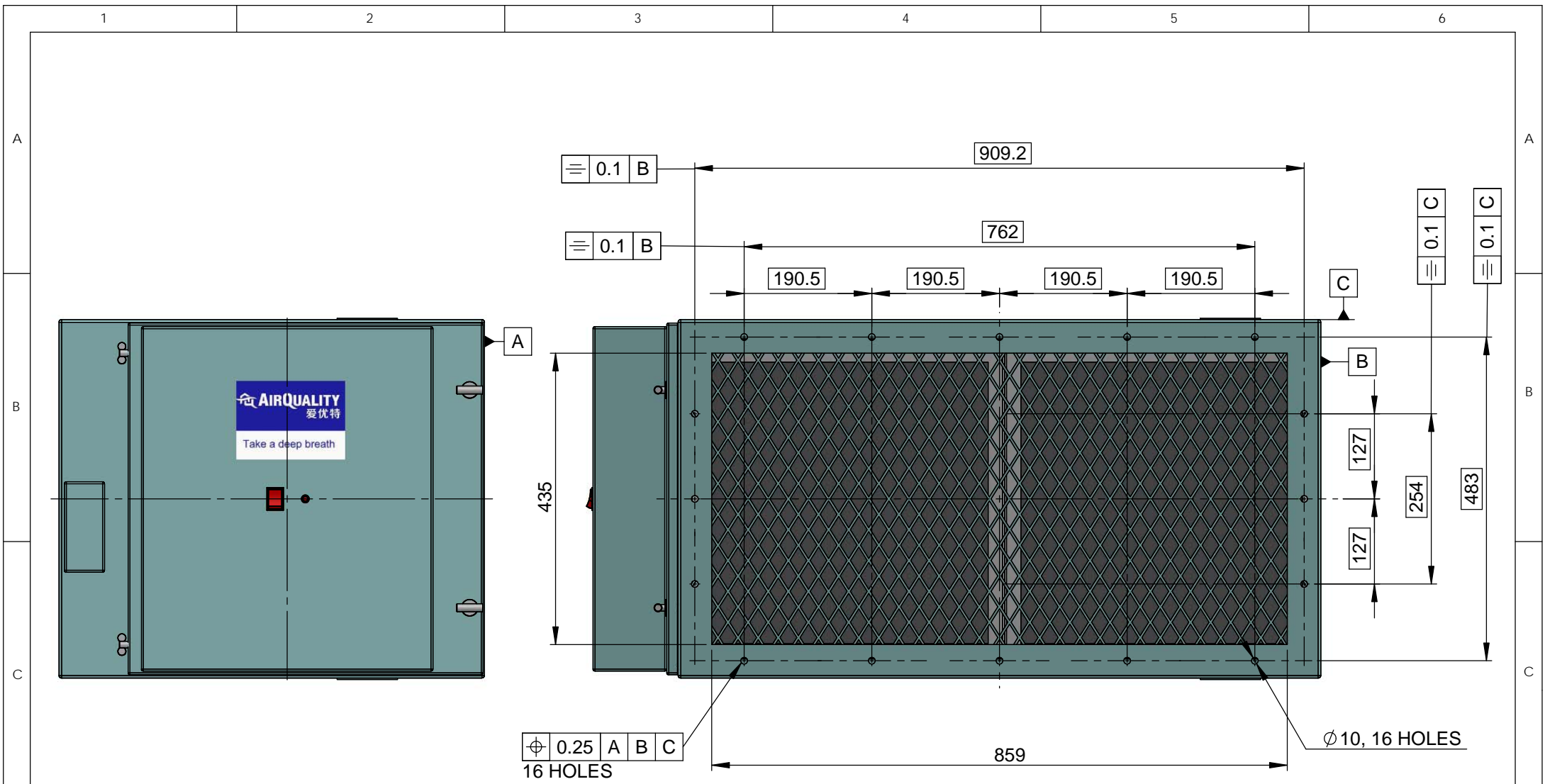
REV.	DATE	DRAWN	DESCRIPTION	VERT ZONE	HORIZ ZONE
1	8/02/2016	CMH	ORIGINAL ISSUE		

TOLERANCES & FINISH	
LINEAR	ANGULAR
X ±0.5mm	±0.5°
X.X ±0.25mm	±0.25°
X.XX ±0.10mm	±0.10°
UNLESS STATED	
 UNLESS STATED	

DRAWN	8/02/2016
CHECKED	C.HALLIDAY
APPROVED	
PASSED	

 DWG/TOL STD AS1100		AIR QUALITY SYSTEMS	
SHEET SIZE	A4	SHEET 1 OF 4 SHEETS	DO NOT SCALE ALL LINEAR UNITS = mm
PROJECT	AIR QUALITY SYSTEMS - FKE UNITS		PART No.
FILE NAME	KFE-AQ_Assemblies		CONFIGURATION FKE-AQ2
DWG No.	FKE-AQ2-1-01		TITLE GENERAL ARRANGEMENT OF THE AIR QUALITY SYSTEMS FKE-AQ2 ASSEMBLY

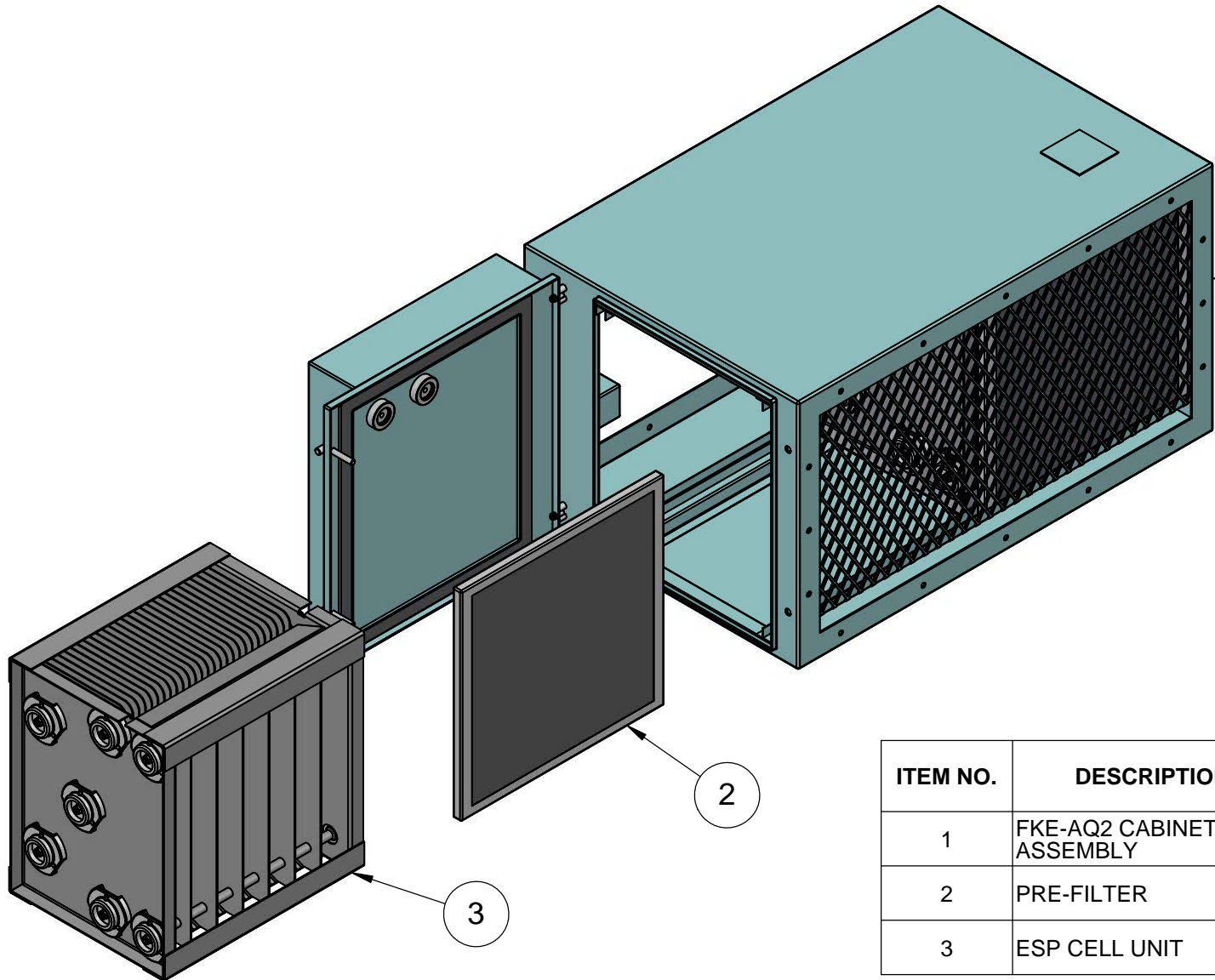




NOTE - SAME HOLE ARRANGEMENT FOR BOTH FLANGE FACES

				TOLERANCES & FINISH LINEAR ANGULAR X ±0.5mm ±0.5° X.X ±0.25mm ±0.25° X.XX ±0.10mm ±0.10° UNLESS STATED NA UNLESS STATED		DRAWN 8/02/2016 C.HALLIDAY		DWG/TOL STD AS1100		AIR QUALITY SYSTEMS			
						SHEET SIZE A4 SHEET 2 OF 4 SHEETS		DO NOT SCALE ALL LINEAR UNITS = mm					
						PROJECT AIR QUALITY SYSTEMS FKE UNITS		PART No. PART No.?					
						FILE NAME KFE-AQ_Assemblies		CONFIGURATION FKE-AQ2					
						DWG No.		TITLE DETAIL OF FLANGE HOLE SPACING FOR THE FKE-AQ2 ASSEMBLY					
						FKE-AQ2-1-02							

1	8/02/2016	CMH	ORIGINAL ISSUE		
REV.	DATE	DRAWN	DESCRIPTION	VERT ZONE	HORIZ ZONE



ITEM NO.	DESCRIPTION	NOTES	QTY.
1	FKE-AQ2 CABINET ASSEMBLY		1
2	PRE-FILTER		2
3	ESP CELL UNIT		2

REV.	DATE	DRAWN	DESCRIPTION	VERT ZONE	HORIZ ZONE
1		CMH	ORIGINAL ISSUE		

TOLERANCES & FINISH

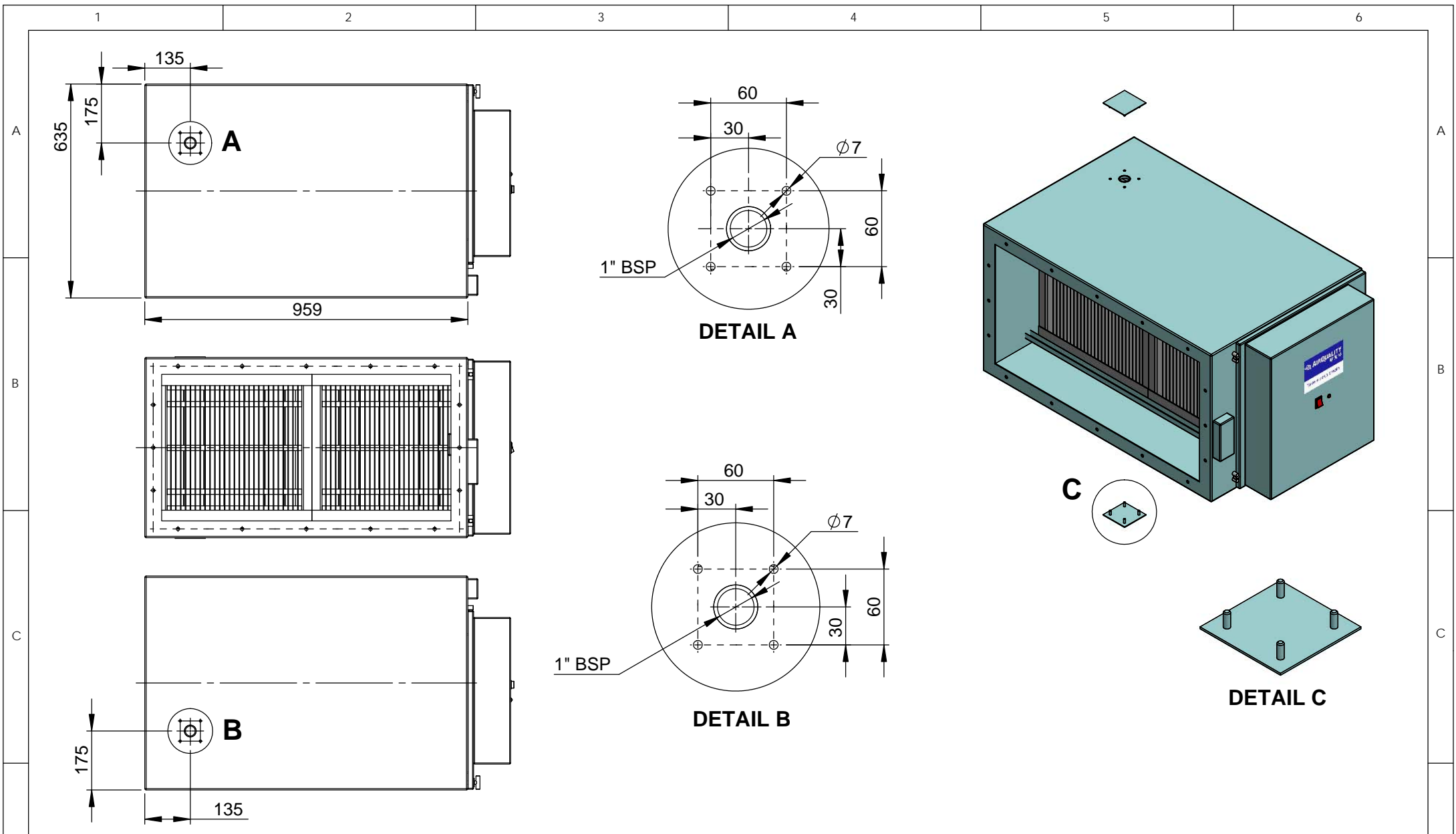
LINEAR	ANGULAR
X ±0.5mm	±0.5°
X.X ±0.25mm	±0.25°
X.XX ±0.10mm	±0.10°

UNLESS STATED

NA

UNLESS STATED

DRAWN	DWG/TOL STD AS1100	AIR QUALITY SYSTEMS		
CHECKED	SHEET SIZE A4	SHEET 3 OF 4 SHEETS	DO NOT SCALE	ALL LINEAR UNITS - mm
APPROVED	PROJECT AIR QUALITY SYSTEMS - FKE UNITS		PART No.	
PASSED	FILE NAME KFE-AQ_Assemblies		CONFIGURATION FKE-AQ2 Open	
DWG No. FKE-AQ2-1-03			TITLE EXPLODED VIEW & PARTS LIST FOR THE AIR QUALITY SYSTEMS FKE-AQ2 ASSEMBLY	



				TOLERANCES & FINISH LINEAR ANGULAR X ±0.5mm ±0.5° X.X ±0.25mm ±0.25° X.XX ±0.10mm ±0.10° UNLESS STATED NA UNLESS STATED		DRAWN 8/02/2016 C.HALLIDAY		DWG/TOL STD AS1100		AIR QUALITY SYSTEMS			
						SHEET SIZE A4 SHEET 1 OF 4 SHEETS		DO NOT SCALE ALL LINEAR UNITS = mm		PART No. PART No.?			
						PROJECT AIR QUALITY SYSTEMS FKE UNITS		FILE NAME KFE-AQ_Assemblies		CONFIGURATION FKE-AQ2			
						APPROVED		DWG No.		TITLE DETAIL OF DRAIN HOLE LOCATION AND DIMENSIONS FOR THE FKE-AQ2 UNIT			
						PASSED		FKE-AQ2-1-04					
1	8/02/2016	CMH	ORIGINAL ISSUE										
REV.	DATE	DRAWN	DESCRIPTION	VERT ZONE	HORIZ ZONE								